

Product : P102

Stainless Steel Fittings

Elbow 90°C Female-Female

Features

Made of AISI 316 (Casting)

Thread according to ISO 7-1 (EN 10226-1) Std.

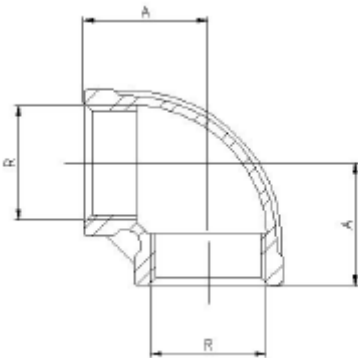
Dimensions according to ISO 4144 Std

Max. working pressure 20 Bar (S-150).

Temperature ratings -20 °C to 220 °C.



General Dimensions



REF.	Size (R)	Dimension A (MM)
P102 008	1/4"	19
P102 010	3/8"	23
P102 015	1/2"	27
P102 020	3/4"	32
P102 025	1"	38
P102 032	1-1/4"	45
P102 040	1-1/2"	48
P102 050	2"	57
P102 065	2-1/2"	69
P102 080	3"	78
P102 100	4"	96

Your direct line for Industrial Supply